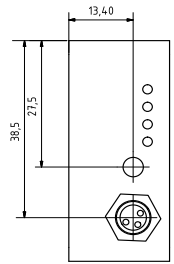
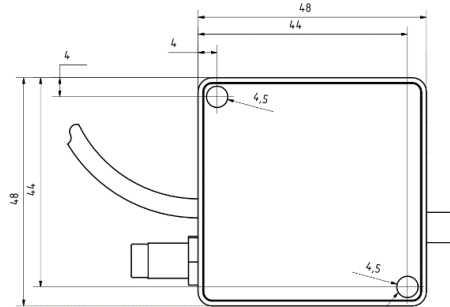
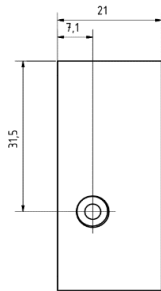


Datasheet PR0190

Article-No.: 50470



Tolerance of Measure: Unless otherwise noted in drawing, tolerances are specified with ± 0.1 and dimensions are specified in mm.



Safety and Warning Instructions

The system is not designed and constructed for use as a safety-critical component in systems and machines in general, nor for particular use in medical applications. Use is not permitted in these areas. Assembly, installation and maintenance are to be performed by trained personnel only.

Pin Assignment Serial Interface

Pin assignment of the 3-pole M8 connector.

1	TxD
3	GND
4	RxD



Pin Assignment Connecting Cable

Pin assignment of the 5-pin connecting cable.

Color	Meaning
Brown	Power supply 12 V to 27 V DC
White	Power supply 0 V
Green	Out 1 (product 1 OK/NOK)
Yellow	Out 2 (product 2 OK/NOK)
Grey	Out 3 (product 3 OK/NOK)

OK: Measuring result lies within limits.
NOK: Measuring result lies outside the limits.

LED Indicator

LED	State	Meaning
Out 1	Off	Out 1 inactive (product NOK)
	On, yellow	Out 1 active (product OK)
Out 2	Off	Out 2 inactive (product NOK)
	On, yellow	Out 2 active (product OK)
Out 3	Off	Out 3 inactive (product NOK)
	On, yellow	Out 3 active (product OK)
Power	Off	No power supply.
	On, green	Power supply present, system ready.
	Flashing, green	System sending and/or receiving data over the communication interface.

OK: Measuring result lies within limits.
NOK: Measuring result lies outside the limits.

Technical Data

Channels	1
Power supply	12 V to 27 V DC, max. 50 mA at 12 V
Spectral range	380 nm to 780 nm
Output	CIE 1931 xy, CCT, λ_{dom}
Integration time	30 μ s to 1.95 s resolution approx. 30 μ s
Resolution	8 gain steps a 12 Bit
Products	up to 3 coded via 3 outputs
Measurement time (with data transfer)	approx. 15 ms + integration time used; approx. 170 ms (PWM-Option) + integration time used; PR0190 works freely and asynchronously to external processes
Outputs	Out 1, Out 2, Out 3
Type	push-pull outputs, max. 30 mA, not potential-free
Signal voltage On	> power supply - 3 V
Signal voltage Off	< 2 V
Interface	RS232, not potential free
Communication protocol	proprietary
Parameterization	via serial interface
Coupling measuring object	fiber optic with F-SMA connection
Fuse protection	internal electronic, self-resetting
Length connecting cable	1 m
Material case	Aluminum coated
IP Code	IP54
Operating temperature	10 °C to 55 °C
Operating humidity	35 % to 85 % relative humidity
Storage temperature	-10 °C to 60 °C
Weight	approx. 120 g