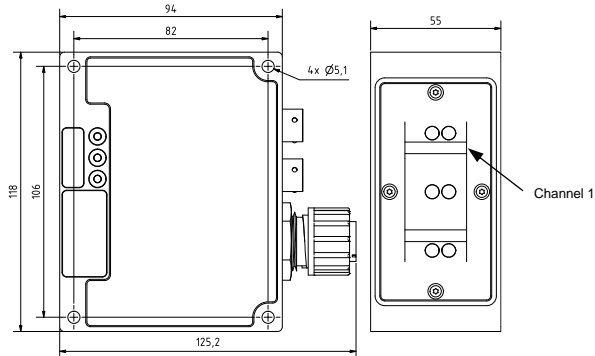


# Datasheet IDA<sup>®</sup> – Intelligent Distance Analyzer

Article-No.: 50114 (IDA-3-S), 50115 (IDA-3-M)



**Tolerance of Measure:** Unless otherwise noted in drawing, tolerances are specified with  $\pm 0.1$  and dimensions are specified in mm.



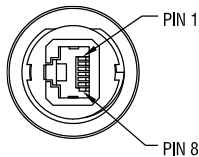
## Safety and Warning Instructions

The system is not designed and constructed for use as a safety-critical component in systems and machines in general, nor for particular use in medical applications. Use is not permitted in these areas. Assembly, installation and maintenance are to be performed by trained personnel only.

## Pin Assignment Ethernet

Pin assignment of the RJ45 connector.

1	TX+
2	TX-
3	RX+
4	not used
5	not used
6	RX-
7	not used
8	not used



## LED Indicator

LED	State	Meaning
Power	Off	No power supply.
	On, green	Power supply present, system ready.
	On, yellow	Power supply critical, system ready.
	On, red	Power supply too low, system not ready.
Error	On, yellow	Fault output or output not connected.
	On, red	General error.

## Technical Data

Power supply	11 V to 27 V DC, max. 900 mA at 11 V
Output	Distance (mm)
Outputs	Distance
Type	active current output
Signal range	4 mA to 20 mA
Burden (load resistance)	$\leq 500 \Omega$
Resolution	5 $\mu$ A
Interface	Fast Ethernet, CANopen <sup>[1]</sup>
Parameterization	via ethernet interface
Triggering	via ethernet interface
Material case	Aluminum coated
IP Code	IP65
Operating temperature	-25 °C to 50 °C
Operating humidity	20 % to 85 % relative humidity
Storage temperature	-40 °C to 70 °C
Weight	approx. 800 g

[1]: CANopen interface is currently not included in the current version of the IDA firmware.

## Pin Assignment Power Supply

Pin assignment of the 5-pole connector (Connector type: Deltron DELMSF1212/P5).

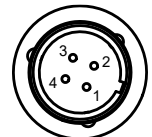
1	11 V to 27 V DC
2	0 V DC
3	not used
4	output, distance (current output +)
5	output, distance (current output -)



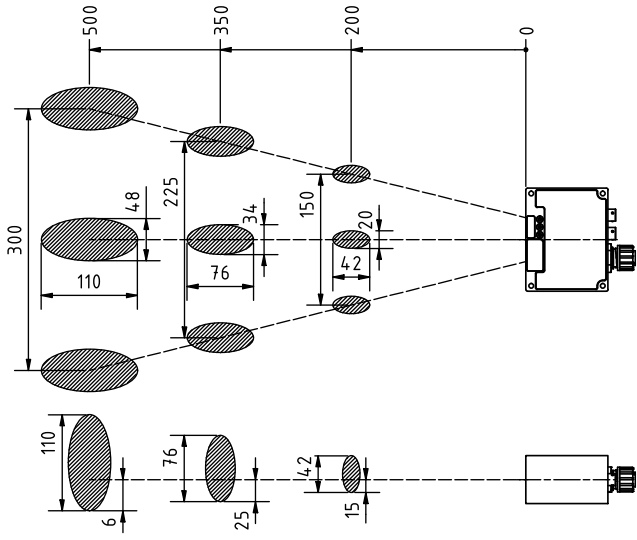
## Pin Assignment CANopen

Pin assignment of the 4-pole connector (Connector type: Deltron DELMSF1212/P4).

1	not used
2	CAN <sub>HIGH</sub>
3	CAN <sub>V</sub>
4	CAN <sub>LOW</sub>

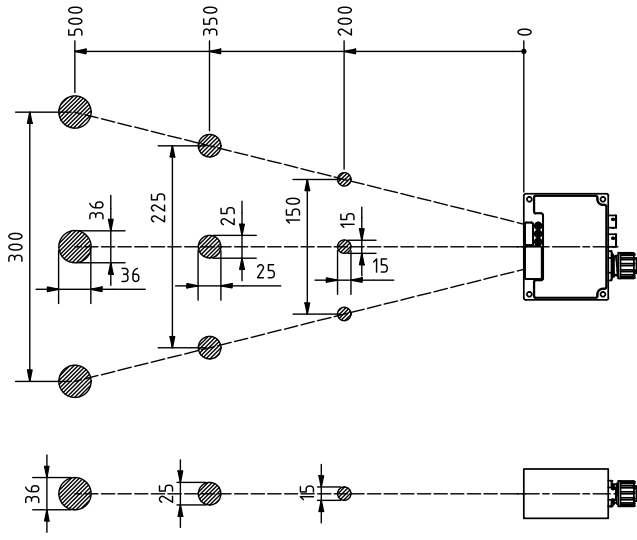


**Detection Range IDA-3-S** [2]



[2]: Specifications are guide values and may deviate (depending on object properties and ambient light, among other things).

**Detection Range IDA-3-M** [2]



[2]: Specifications are guide values and may deviate (depending on object properties and ambient light, among other things).